

VingCard Signature RFID Electronic Lock

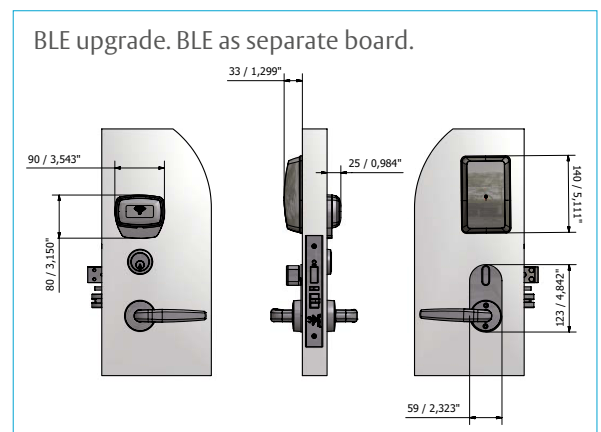
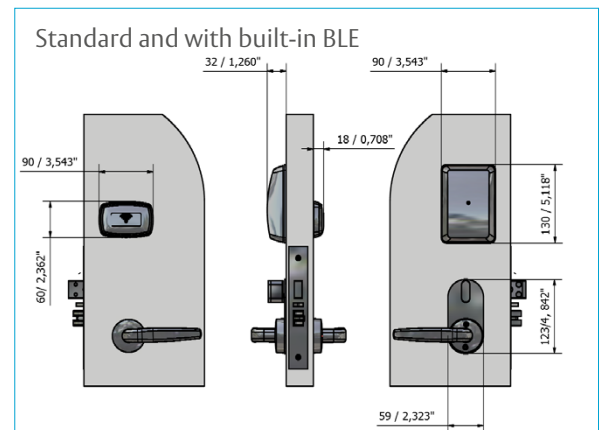
With Signature RFID you are provided with a stylish and modern lock that appeals to the modern environment. Signature RFID is less on the door while more in terms of functionality for you and your users.

FEATURES

- : EPD (Environmental Product Declaration) certified
- : Supports the latest RFID technology
- : Supports Mobile Access
- : Online compatible
- : Easy upgrade from Signature Magstripe or Combo
- : Fire listed for use on fire doors (UL, BS, EN)
- : Case hardened full 1-inch (ANSI) throw deadbolt
- : Panic release function – the deadbolt and latch are automatically retracted by inside handle for easy regress in emergency situations
- : Stainless steel parts for mechanical strength, corrosion resistance and attractive appearance
- : Optional high security mechanical override cylinder
- : Detailed audit trail: 3000 events in offline mode (Vostio and Visionline version 1.24 and above) and unlimited number of events in online mode
- : RFID Specifications:
 - 13,56MHz technology
 - Compatible with the following standards:
 - ISO 14443 A (MIFARE including Desfire)
 - ISO 14443 B
 - ISO 15693



DIMENSIONS



ASSA ABLOY
Global Solutions

Experience a safer
and more open world

TECHNICAL DATA

| | |
|----------------------------------|--|
| Power | 4,5 V DC (3 x AA alkaline batteries). |
| Battery location | Inside of the room. |
| Material | Thumbturn escutcheon: Stainless steel, quality SS316. Handles: Stainless steel quality SUS304. Battery cover: Polycarbonate (Makrolon 6265-vo / Lexan 945).RFID cover: Polycarbonate UL94V0 (Makrolon 6555) |
| Metal finishes | Satin Chrome, Polished Chrome, Satin Brass, Polished Brass, Light Bronze, Velour Nickel, US Antique Dark and Black Titanium. |
| Standard plastic color | Black RAL 9005 (RFID cover and battery cover). |
| Handle options in standard range | VingCard standard handles and Valli & Valli designer collection handles. |
| Emergency opening options | Electronic emergency opening with service unit and optional mechanical cylinder. |
| User interface | 3 colored LED display (green, red, yellow) plus Blue color and acoustic beeper if reader with built-in BLE is selected. |
| Locking mechanism | Electro-mechanical locking mechanism located in the lockcase. |
| Door thickness | 34 - 120 mm / 1,34 - 4,72 Inches. |
| System software compatibility | Visionline and Vostio. |
| Online compatibility | Wireless (based on ZigBee protocol) or wired (PoE/Ethernet) in Visionline. |
| Storage temperature | 0-70 °C / 32-158 °F: non-condensing environment. |
| Tested operating temperature | Tested from -25 °C to 70 °C (-13 °F to 158 °F), according to IEC 60068-2. |
| Certifications | EPD (Environmental Product Declaration) Certified European EMC, LVD and R&TTE Directives Fire approved according to EN 1634-1 Fire approved according to UL (timber doors and metal doors). Fire approved according to German MPA standard. FCC/IC for US and Canada. |
| Mobile Access support | Reader with built-in BLE or mobile access board add-on. |
| IP rating for reader | IP 56 |

LOCKCASE DIMENSIONS

| | |
|-------------------------|--|
| ANSI lock case variants | ANSI DA, ANSI DB (both available in the following versions:4-switch, Auto deadbolt (ADB) Australia version (AUS) and Japan (JPN) version). |
| ANSI lock case widths | 25 mm / 0,98 inches, 28 mm / 1,10 inches, 32 mm / 1,26 inches. |
| ANSI backset | 70 mm / 2,76 inches. |
| EURO lock case variants | EURO, EURO ADB, EURO MPA. |
| EURO lock case widths | 20 mm / 0,79 inches, 22 mm / 0,87 inches, 24 mm / 0,94 inches. |
| EURO backsets | 65 mm / 2,56 inches, 80 mm / 3,15 inches. |

* BLE: Bluetooth Low Energy

